

YANMAR DIESEL ENGINE

4TNV88

4TNV88-BPYBD/-BPYBC/-BPYBE

PARTS CATALOG

GENUINE PARTS

FOR

CASE

CX55B, CX58C

YANMAR DIESEL LIMITED



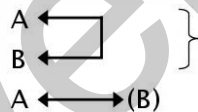
ITEM	PART NO.	PART NAME	QTY	Reference	APPLICABLE NO.
FIG 01		CYLINDER BLOCK			
FIG 02		GEAR HOUSING			
FIG 03		FLYWHEEL HOUSING & OIL SUMP			
FIG 04		CYLINDER HEAD & BONNET			
FIG 05		SUCTION MANIFOLD			
FIG 06		EXHAUST MANIFOLD			
FIG 07		CAMSHAFT & DRIVING GEAR			
FIG 08		CRANKSHAFT & PISTON			
FIG 09		LUB.OIL SYSTEM			
FIG 10		COOLING WATER SYSTEM			
FIG 11		FUEL INJECTION PUMP			
FIG 12		GOVERNOR			
FIG 13		FUEL INJECTION VALVE			
FIG 14		FUEL LINE			
FIG 15		STARTING MOTOR			
FIG 16		GENERATOR			
FIG 17		GASKET SET			

How to read this Catalog.

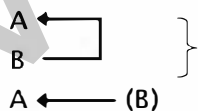
1. Parts mentioned in this Parts Catalog may not necessarily be standard equipping parts.
2. Parts change may be made without prior notice.
3. Form of this Parts Catalog.

① 符号 ITEM	② 部品番号 PART NO.	③ 部品名 PART NAME	④ 部品名 PART NAME	⑤ 数量 QTY	⑥ 備考 REMARKS	適用号機 APPLICABLE No.
		CYLINDER BLOCK	シリンダブロック			
1	VW72900501560	BLOCK ASSY, CYLINDER	シリンダブロック CMP	1		
4	.. VW12406001050	PLUG PT1/8	プラグ (PT1/8)	1		
5	.. VW12900101250	PLUG 50	プラグ 50	1		
29	VW12900102931	MAIN BEARING SET	メインメタルCMP (STDホウキン)	4	(1)	
32	VW12915002871	MAIN METAL U. S=0.25	メインメタル U. S=0.25	4	(2)	

- ① Item : Index number given to every part in the part illustration.
- ② Part Number : Proper number given to parts.
 - ・ shown in the "PART No." column means the following.
 - ・ Hereunder is given the relation among the number of dots (·), the level and the nominal parent-child relationship. · is the Parent parts (Assembly parts).
 - ・ Child parts included in "·"
 - (Subassembly parts, component parts of Assembly parts.)
 - ・ Child parts included in "· ·", Grand-child parts in items of "· ·".
 - (Component parts of Subassembly parts.)
 -) Not soled parts are illustrated partly but not listed.
- ③ Part Name : Name of the parts.
- ④ Quantity required : "Number of parts necessary for One (1) unit" is shown. However, for component parts for assembly, it shows the "Number of parts for One (1) set" of assembly.
- ⑤ Remarks : Marks shown in the "Remarks" column means the following.



Two (2) parts connected by the arrow are interchangeable.
In addition, where sign is put in (), the parts are interchangeable with the relevant parts in part list, both parts are available.



Two (2) parts connected by the arrow are interchangeable.
Part B can take the place of Part A, but part A is not available.

(1), (2), (3),

The corresponding parts explanation is showned lower side of the illustpages.

- ⑥ Applicable Machine : The serial number of machine using the parts is indicated. Parts for which the serial number is not indicated are common for all the machines which are listed in this catalog. And, where the serial number can not be described in the "Applicable" column, put marks such as (A), (B), ..., and describe it at the last space on the Parts List.
[Note] When the interchangeable marks are put in the "Remarks" column for part number to be used to place an order, the interchangeable parts could be supplied automatically.

[Memo]

Silverhorn.CO.UK

				27	
				28	
5				14	
				8	
14				12	
				13	
4					
7					
6					
1	24			24	
	35			35	
9					
9					
9					
9				9	
	29				
		32			

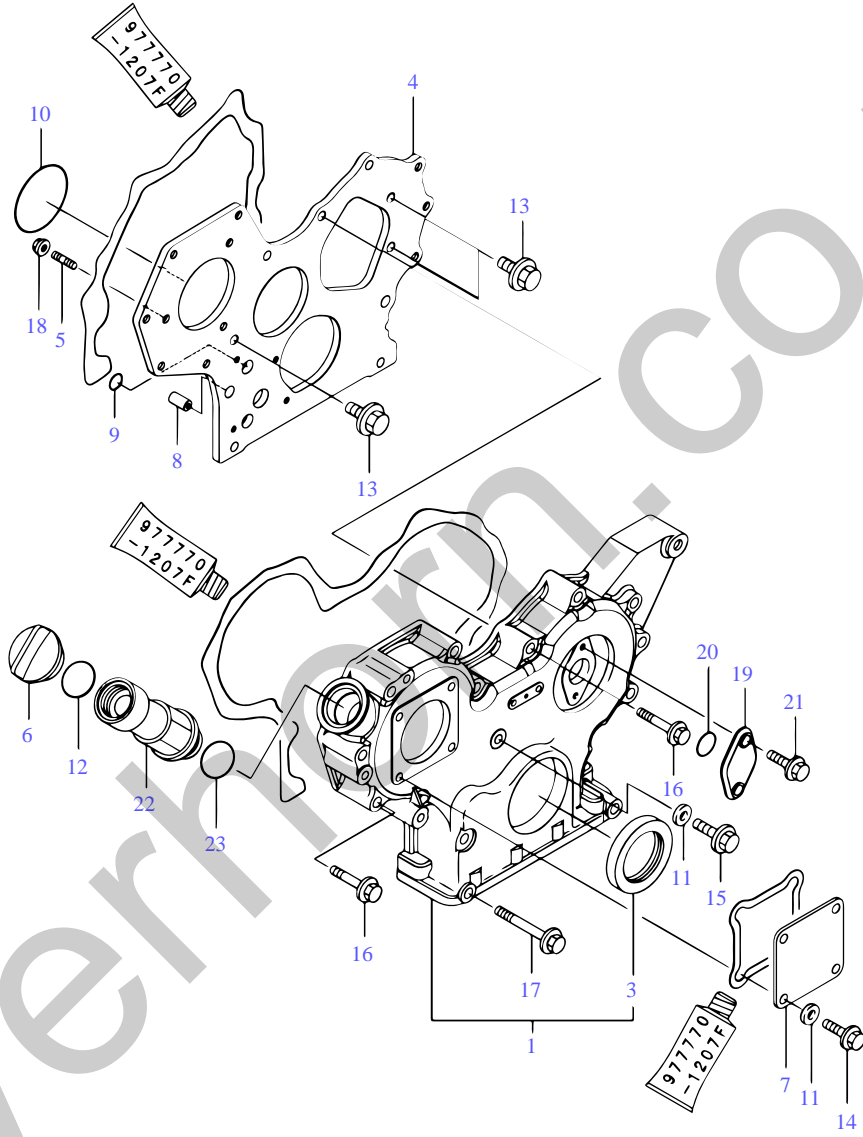
Silverhorn.CO.UK

ITEM	PART NO.	PART NAME	QTY	Reference	APPLICABLE NO.
.	.	CYLINDER BLOCK			
1	VV72960201560	-BLOCK ASSY, CYLINDER	1		
4	VV12406001050	--PLUG	1		
5	VV12900101250	--PLUG	1		
6	VV12416001910	--PLUG	2		
7	VV12416001910	--PLUG	1		
8	VV17105101921	--PLUG	1		
9	VV12915002020	--BOLT	10		
12	VV12979502412	--BUSH	1		
13	VV27241120000	--PLUG	2		
14	VV27241300000	--PLUG 30	8		
24	VV12915002931	--METAL, THRUST	2		
27	VV12915001200	-BOLT	18		
28	VV12940701340	-GASKET, HEAD	1		
29	VV12900102931	-METAL (MAIN	5	(1)	
32	VV12915002871	-METAL, MAIN 0.25US	5	(2)	
35	VV12915002941	-METAL, THRUST 0.25	1	(3)	

Remarks

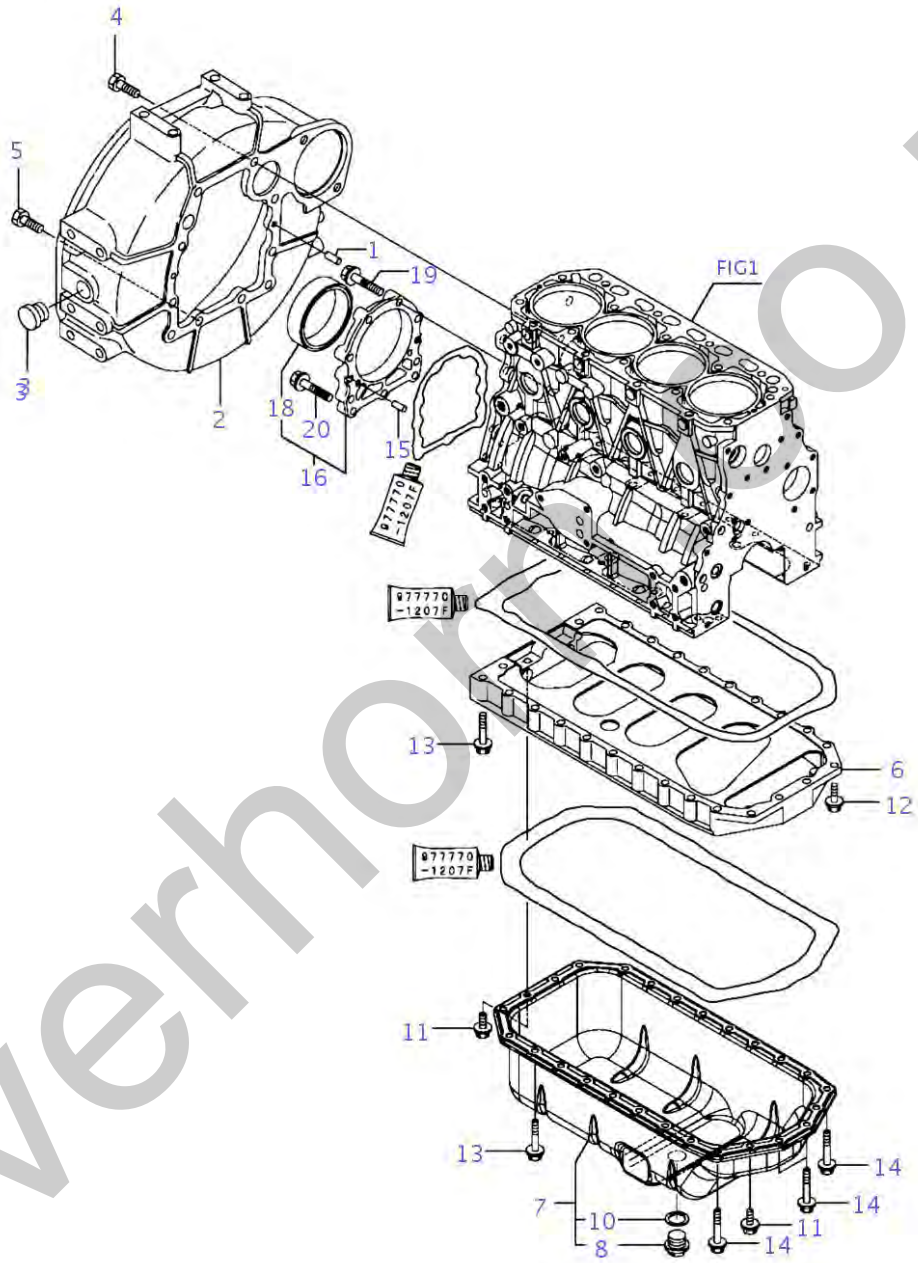
- (1) SPARE PARTS.
- (2) UNDER-SIZE (U. S=0.25) PART.
- (3) OVER-SIZE (O. S=0.25) PART.

ギヤケース・GEAR HOUSING



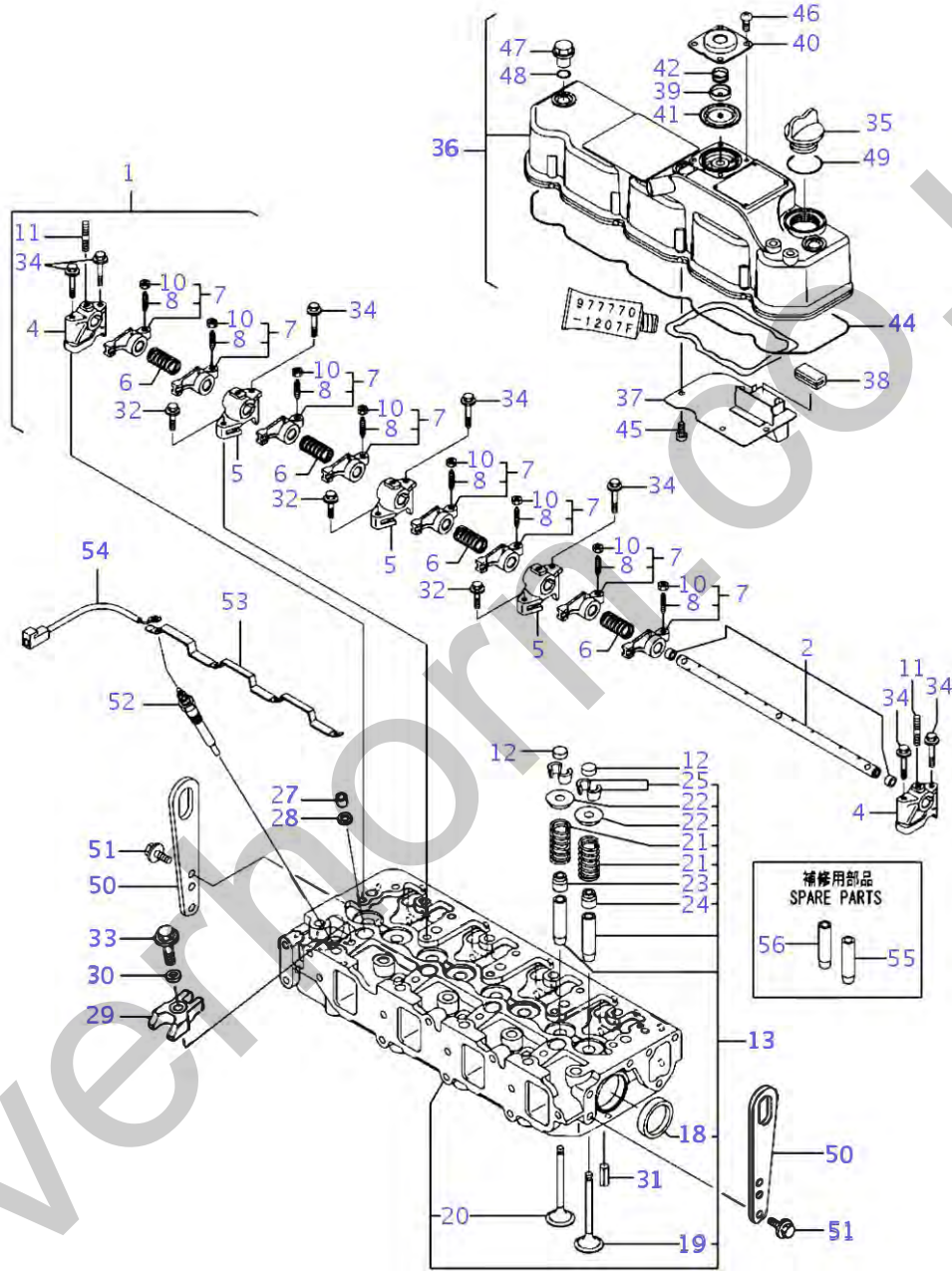
ITEM	PART NO.	PART NAME	QTY	Reference	APPLICABLE NO.
	.	GEAR HOUSING			
	.				
1	VV71980301500	-CASE ASSY	1		
3	VV11993401800	-SEAL, OIL	1		
4	VV11980301520	-FLANGE	1		
5	VV11980201561	-STUD	3		
6	VV12416001751	-COVER	1		
7	VV12424001871	-COVER	1		
8	VV12979501950	-PIPE	2		
9	VV11960932040	-O-RING	2		
10	VV12185051960	-O-RING	1		
11	VV22190080002	-WASHER, SEAL	5		
12	VV24311000320	-O-RING	1		
13	VV26106080162	-BOLT	3		
14	VV26106080162	-BOLT	4		
15	VV26106080302	-BOLT	1		
16	VV26106080552	-BOLT	12		
17	VV26106080852	-BOLT	3		
18	VV26306080002	-NUT	3		
19	VV12102301551	-COVER	1		
20	VV24341000240	-O-RING	1		
21	VV26106060162	-BOLT	2		
22	VV17103111741	-PIPE	1		
23	VV24311000320	-O-RING	1		

フライホイールハウジング & オイルパン - FLYWHEEL HOUSING & OIL SUMP



ITEM	PART NO.	PART NAME	QTY	Reference	APPLICABLE NO.
	.	FLYWHEEL HOUSING & OIL SUMP			
	.				
1	VV12910001580	-PIN	2		
2	VV12961201600	-HOUSING	1		
3	VV11962001750	-CAP	1		
4	VV26206100252	-BOLT	6		
5	VV26206100302	-BOLT	4		
6	VV12940001730	-SPACER	1		
7	VV12943601780	-SUMP ASSY, OIL	1		
8	VV11964001640	--PLUG	1		
10	VV22190220002	--WASHER, SEAL	1		
11	VV26106080162	-BOLT	4		
12	VV26106080252	-BOLT	2		
13	VV26106080452	-BOLT	20		
14	VV26106080502	-BOLT	4		
15	VV12910001580	-PIN	2		
16	VV12910001640	-CASE ASSY	1		
18	VV12979501780	--SEAL, OIL	1		
19	VV12948601670	-BOLT	6		
20	VV26106080352	-BOLT	3		
	.				
FIG1					

シリンダヘッド & ボンネット・CYLINDER HEAD & BONNET



備考
(1) ホシユヨウ プ ヒンデ ス。

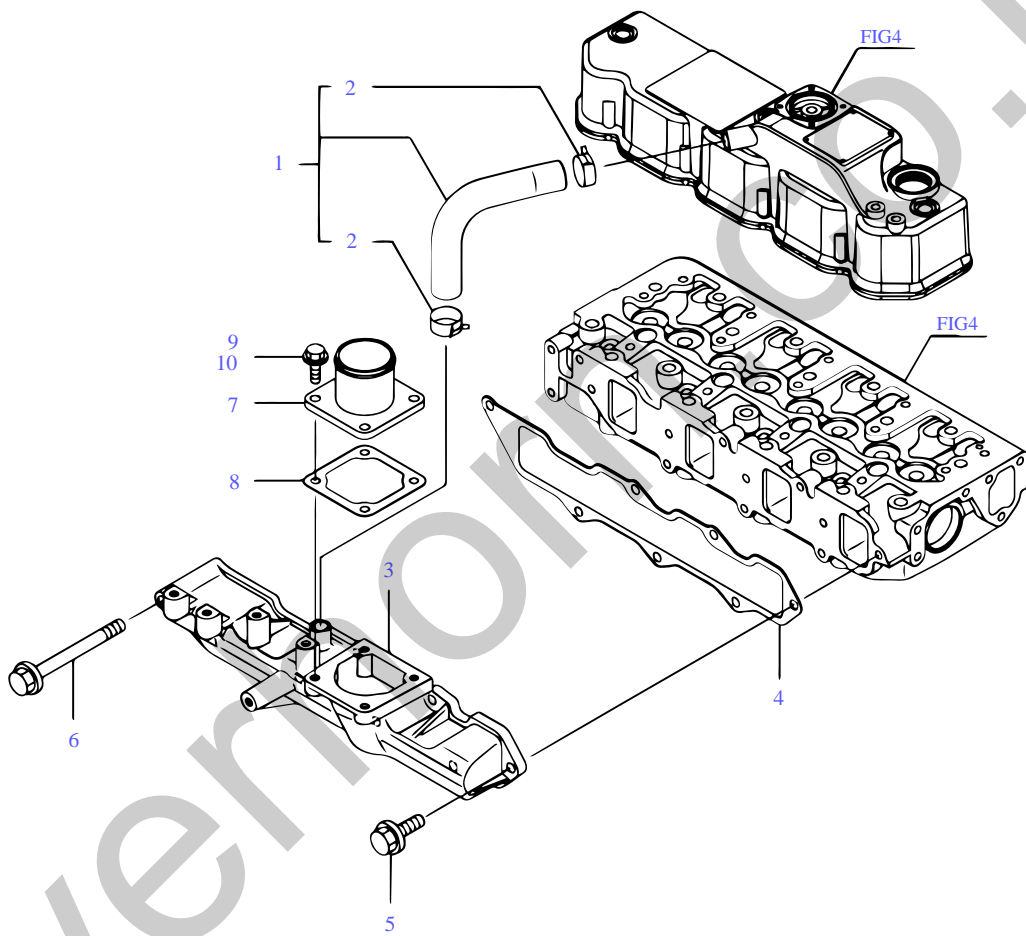
Remarks
(1) SPARE PARTS.

ITEM	PART NO.	PART NAME	QTY	Reference	APPLICABLE NO.
	.	CYLINDER HEAD & BONNET			
	.				
1	VV12960111241	-SHAFT ASSY	1		
2	VV12960111251	--SHAFT	1		
4	VV11980211260	--SUPPORT	2		
5	VV11980211270	--SUPPORT	3		
6	VV12915011280	--SPRING	4		
7	VV12900411650	--ARM, ROCKER	8		
8	VV12915011230	---SCREW	8		
10	VV12915011750	---NUT	8		
11	VV26226080182	--STUD	3		
12	VV12915011370	-CAP	8		
13	VV12960411700	-HEAD ASSY, CYLINDER	1		
18	VV27241400000	--PLUG	2		
19	VV12900511100	--VALVE	4		
20	VV12910011112	--VALVE	4		
21	VV12979511120	--SPRING	8		
22	VV12979511180	--RETAINER	8		
23	VV12140011340	--SEAL, VALVE STEM	4		
24	VV12446011340	--SEAL, VALVE STEM	4		
25	VV27310080001	--COTTER	8		
27	VV11980211870	-PROTECTOR	4		
28	VV11962511880	-VALVE SEAT	4		
29	VV12900411900	-RETAINER	4		
30	VV12027054410	-WASHER	4		
31	VV22351060012	-PIN, SPRING	2		
32	VV26106080252	-BOLT	3		
33	VV26106080352	-BOLT	4		
34	VV26106080502	-BOLT	7		
35	VV12416001751	-COVER	1		
36	VV12960111350	-BONNET ASSY	1		
37	VV12900403010	--PLATE	1		
38	VV12915003070	--BAFFLE	1		
39	VV11980203110	--PLATE	1		
40	VV11980203121	--COVER	1		
41	VV11980203130	--DIAPHRAGM	1		
42	VV11980203141	--SPRING	1		
44	VV12960111310	--GASKET	1		
45	VV22857500100	--SCREW	4		
46	VV22857500100	--SCREW	4		
47	VV12416011360	-KNOB	3		
48	VV24311000120	-O-RING	3		
49	VV24311000320	-O-RING	1		
50	VV12990007900	-LIFTER	2		
51	VV26106080162	-BOLT	4		
52	VV12900877800	-PLUG	4		
53	VV12960477821	-CONNECTOR	1		

ITEM	PART NO.	PART NAME	QTY	Reference	APPLICABLE NO.
54	VV11980377830	-HARNES	1		
55	VV12013011860	-GUIDE	4	(1)	
56	VV12915011810	-GUIDE	4	(1)	
	.				
		Remarks			
		(1) SPARE PARTS.			

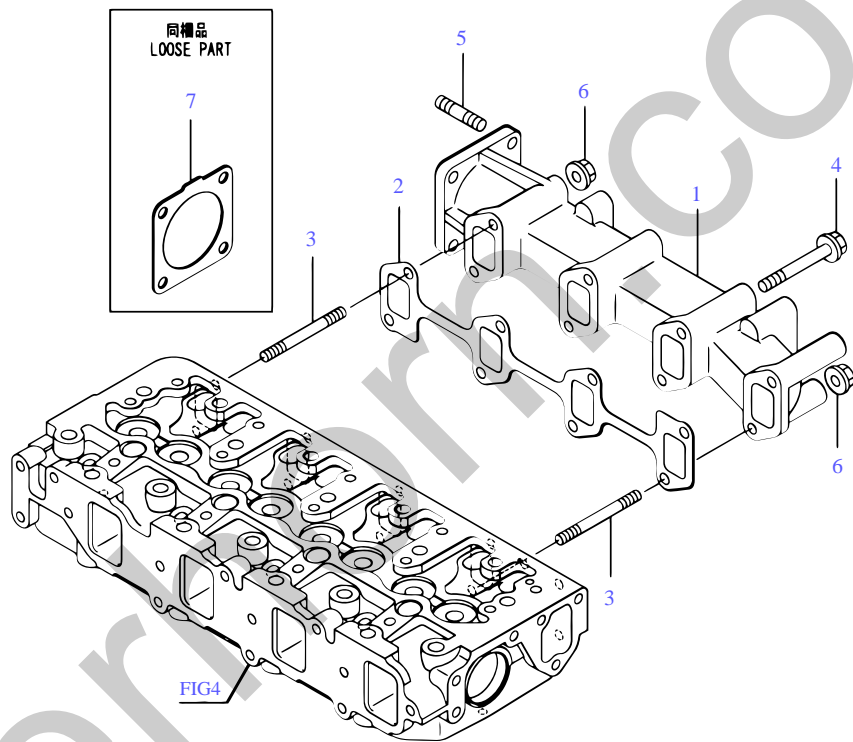
Silverhorn.CO.UK

キューキマニホルド ・ SUCTION MANIFOLD



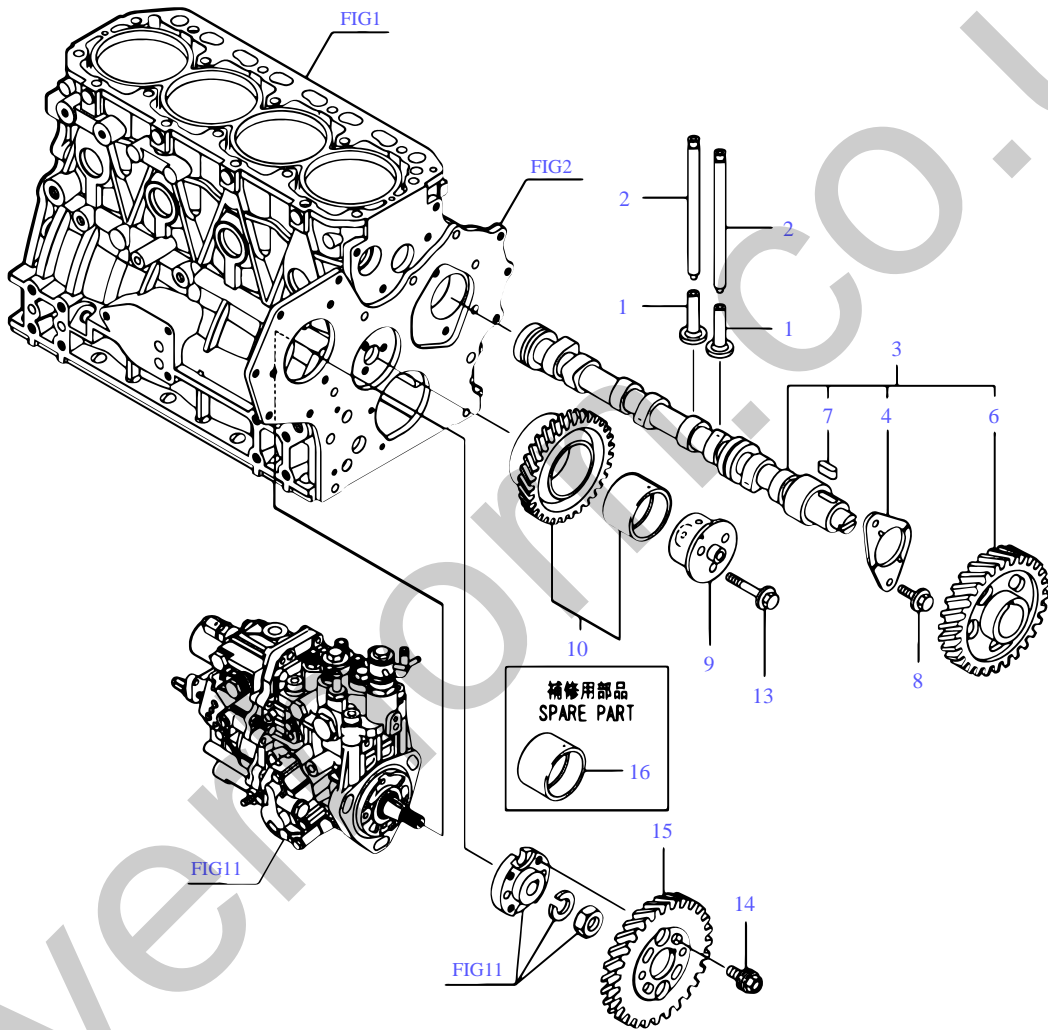
ITEM	PART NO.	PART NAME	QTY	Reference	APPLICABLE NO.
	.	SUCTION MANIFOLD			
	.				
1	VV12900503080	-PIPE	1		
2	VV12941003990	-CLIP	2		
3	VV12960212101	-MANIFOLD	1		
4	VV12940712110	-GASKET	1		
5	VV26106080202	-BOLT	6		
6	VV26106080802	-BOLT	1		
7	VV12948612581	-JOINT	1		
8	VV12915077511	-GASKET	1		
9	VV26106080202	-BOLT	4	BPYBD/C	
9	VV26106080202	-BOLT, M8X 20 PLATED	2	BPYBE	
10	VV26106080252	-BOLT, M8X 25 PLATED	2	BPYBE	
	.				
FIG4					

ハイキマニホールド ・ EXHAUST MANIFOLD



ITEM	PART NO.	PART NAME	QTY	Reference	APPLICABLE NO.
	.	EXHAUST MANIFOLD			
	.				
1	VV12964013109	-MANIFOLD	1		
2	VV12955013110	-GASKET	1		
3	VV12390013610	-STUD	2		
4	VV12390013630	-BOLT	6		
5	VV11913118320	-STUD	4		
6	VV26306080002	-NUT	2		
7	VV12993013201	-GASKET	1		
	.				
FIG4					

カムシャフト&クランクギヤ・CAMSHAFT & DRIVING GEAR

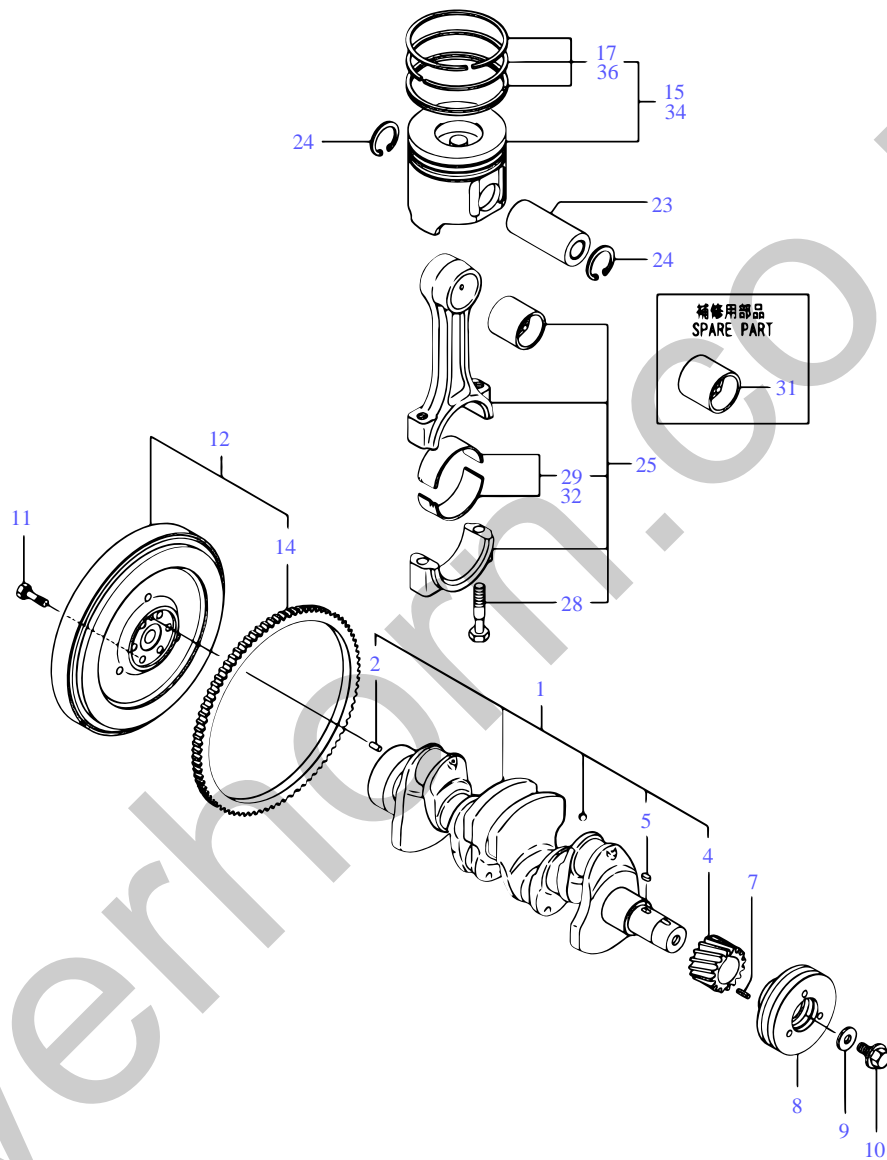


備考
(1) ホシウヨウブヒンデス。

Remarks
(1) SPARE PARTS.

ITEM	PART NO.	PART NAME	QTY	Reference	APPLICABLE NO.
	.	CAMSHAFT & DRIVING GEAR			
	.				
1	VV12915014200	-TAPPET	8		
2	VV12915014400	-ROD, PUSH	8		
3	VV72940214580	-CAMSHAFT ASSY	1		
4	VV12915002450	--METAL, THRUST	1		
6	VV12915014101	--GEAR, CAMSHAFT	1		
7	VV22512070140	--KEY	1		
8	VV26106080142	-BOLT	2		
9	VV11980325050	-SHAFT	1		
10	VV11980225101	-GEAR ASSY	1		
13	VV26106080402	-BOLT	3		
14	VV12915025301	-BOLT	4		
15	VV11980225901	-GEAR, PUMP	1		
16	VV11980225071	-BUSH	1	(1)	
	.				
		Remarks			
		(1) SPARE PARTS.			
	.				
FIG1					
FIG2					
FIG11					

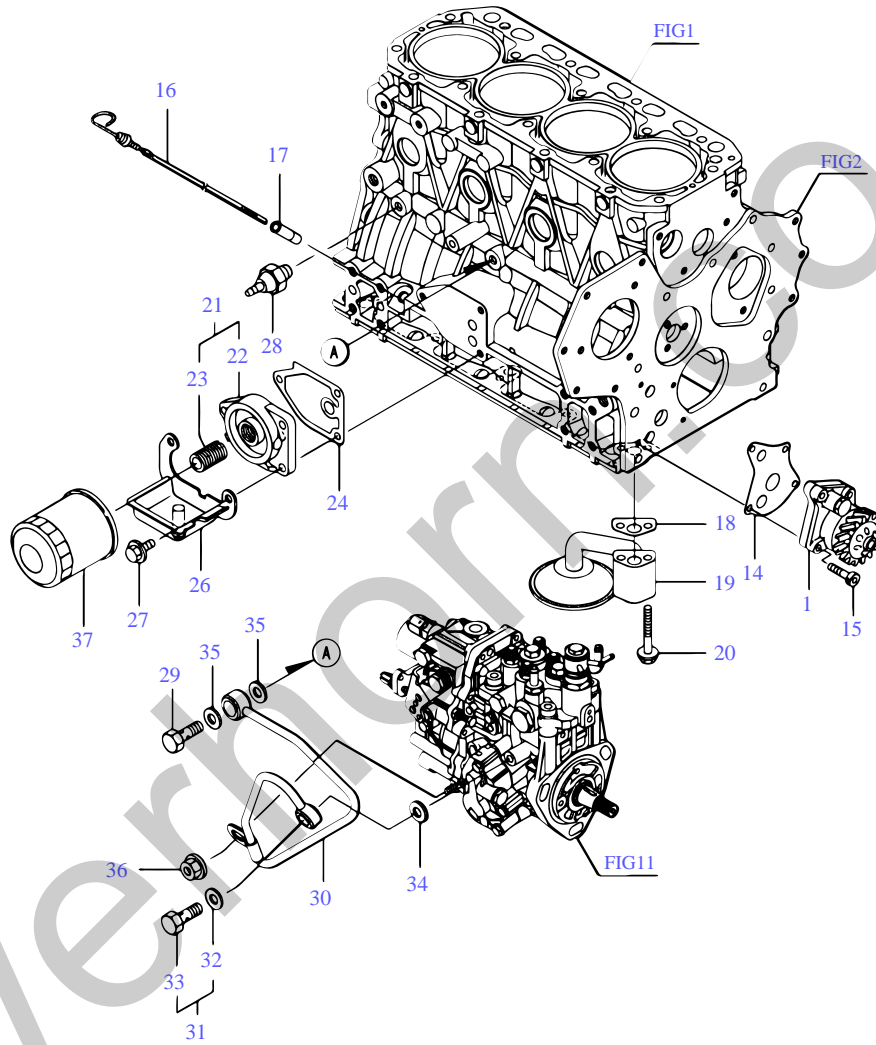
クランクシャフト&ピストン・CRANKSHAFT & PISTON



備考	Remarks
(1) ホジュウヨウブ ンデ ス。	(1) SPARE PARTS.
(2) アンダ ーサイズ (U.S=0.25) ブ ンデ ス。	(2) UNDER-SIZE (U.S=0.25) PART.
(3) オーバ ーサイズ (O.S=0.25) ブ ンデ ス。	(3) OVER-SIZE (O.S=0.25) PART.

ITEM	PART NO.	PART NAME	QTY	Reference	APPLICABLE NO.
	.	CRANKSHAFT & PISTON			
	.				
1	VV12960421000	-CRANKSHAFT ASSY	1		
2	VV12910001580	--PIN	1		
4	VV11980321200	--GEAR	1		
5	VV22512070140	--KEY	1		
7	VV22351030010	-PIN, SPRING	1		
8	VV11980221650	-V-PULLEY	1		
9	VV12979521661	-WASHER	1		
10	VV12185021680	-BOLT	1		
11	VV12111121501	-BOLT	6		
12	VV12948921590	-FLYWHEEL ASSY	1		
14	VV11986521600	--GEAR	1		
15	VV12900522080	-PISTON ASSY	4		
17	VV12900522500	--RING SET, PISTON	4		
23	VV12920222300	-PIN	4		
24	VV22252000260	-RING	8		
25	VV72940223100	-ROD ASSY, CONNECTING	4		
28	VV12155023200	--BOLT	8		
29	VV12915023601	--METAL, CRANK PIN	4		
31	VV12910023910	-METAL, PISTON PIN	4	(1)	
32	VV12915023611	-METAL, CRANK PIN .25	4	(2)	
34	VV12900522900	-PISTON ASSY, 0.25 OS	4	(3)	
36	VV12900522950	--RING SET, PISTON .25	4	(3)	
	.				
		Remarks			
		(1) SPARE PARTS.			
		(2) UNDER-SIZE (U. S=0.25) PART.			
		(3) OVER-SIZE (O. S=0.25) PART.			

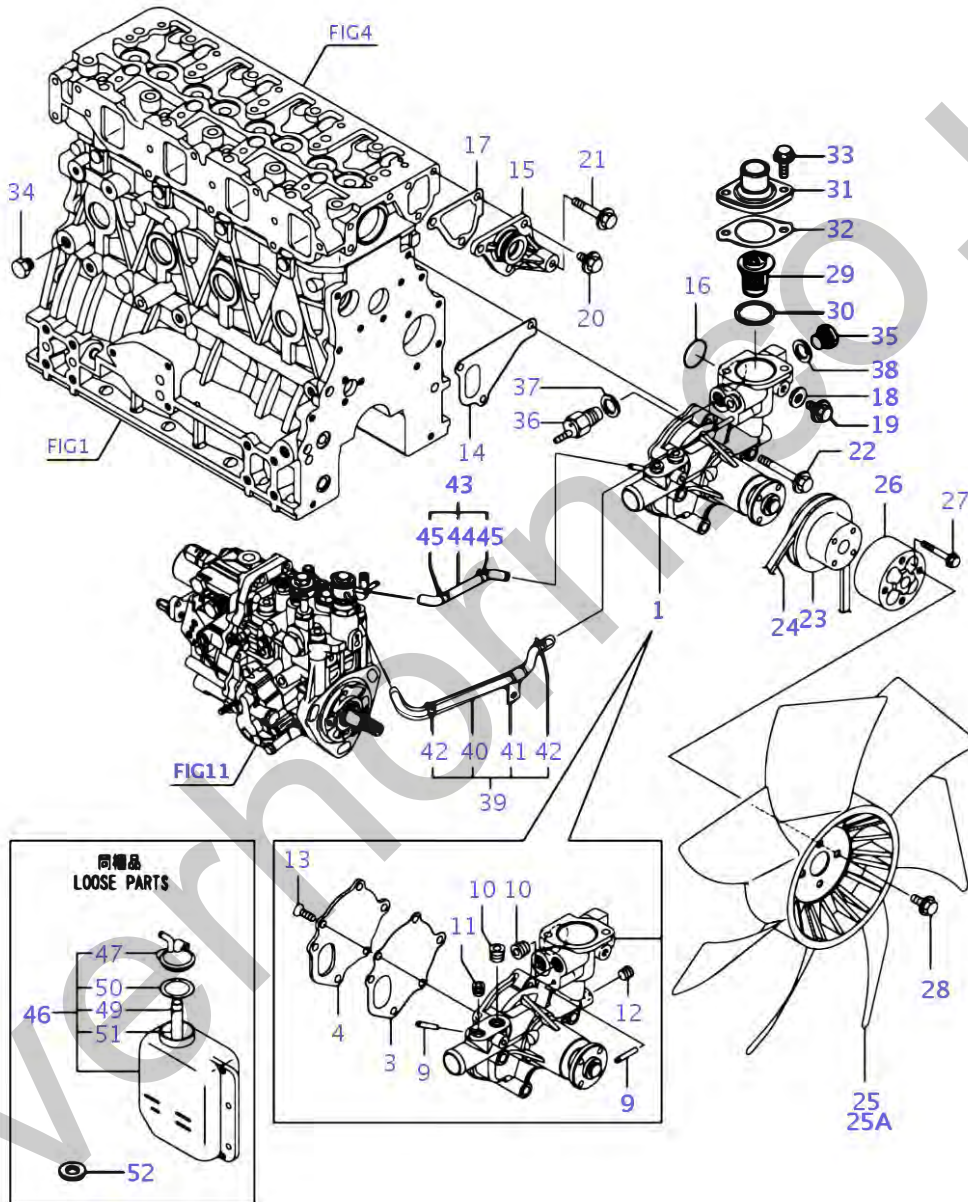
LOシステム・LUB. OIL SYSTEM



<p>備考 (1) ホックヨウブ ヒンダス.</p>	<p>Remarks (1) SPARE PARTS.</p>
--------------------------------	-------------------------------------

ITEM	PART NO.	PART NAME	QTY	Reference	APPLICABLE NO.
	.	LUB.OIL SYSTEM			
	.				
1	VV12940732000	-PUMP ASSY, OIL	1		
14	VV12915032020	-GASKET	1		
15	VV26450060252	-BOLT	4		
16	VV12900434802	-DIPSTICK	1		
17	VV12152034810	-GUIDE	1		
18	VV12915035042	-GASKET	1		
19	VV12943635070	-PIPE ASSY	1		
20	VV26106080552	-BOLT	2		
21	VV11980235100	-BRACKET ASSY	1		
22	VV11980235110	--BRACKET	1		
23	VV12910035140	--STUD	1		
24	VV12915035111	-GASKET	1		
26	VV12924035800	-SUMP, OIL	1		
27	VV26106080202	-BOLT	3		
28	VV11425039450	-SWITCH	1		
29	VV12416039140	-BOLT, PIPE JOINT	1		
30	VV11980239450	-PIPE ASSY	1		
31	VV12900559830	-BOLT ASSY	1		
32	VV22190080002	--WASHER, SEAL	1		
33	VV23857030000	--BOLT	1		
34	VV22190080002	-WASHER, SEAL	1		
35	VV22190100002	-WASHER, SEAL	2		
36	VV26366060002	-NUT	1		
37	VV11900535151	-FILTER	1	(1)	
	.				
		Remarks			
		(1) SPARE PARTS.			
	.				
FIG1					
FIG2					
FIG11					

CWシステム・COOLING WATER SYSTEM

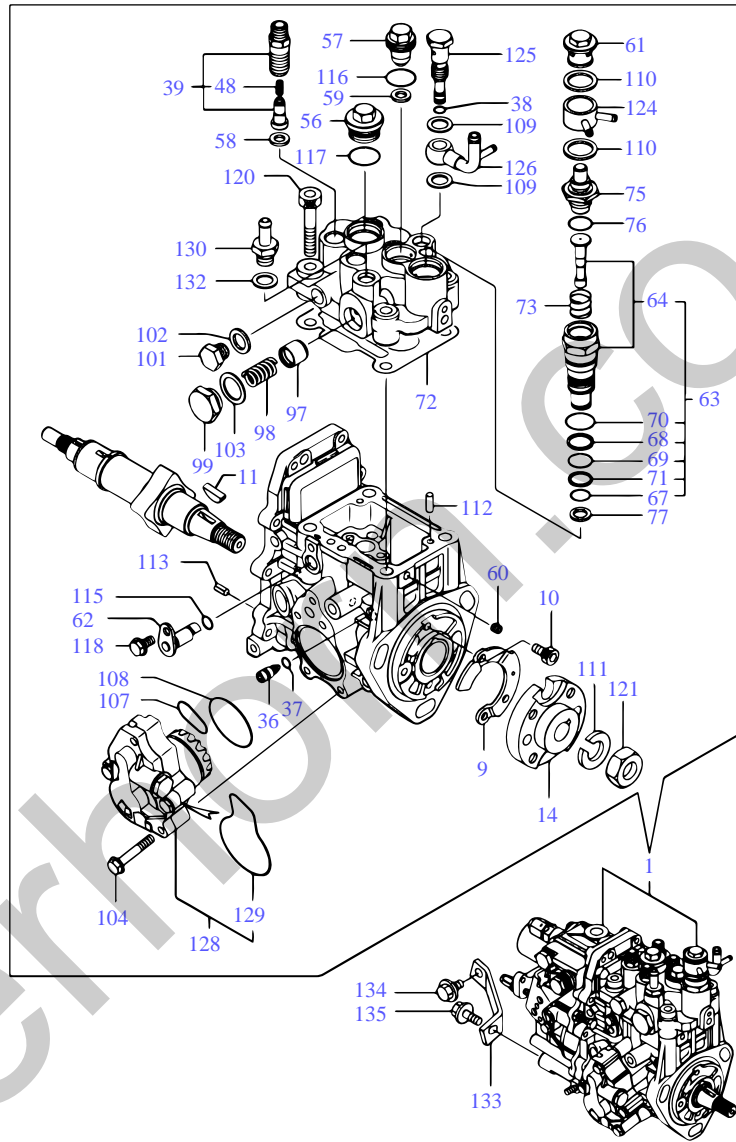


ITEM	PART NO.	PART NAME	QTY	Reference	APPLICABLE NO.
	.	COOLING WATER SYSTEM			
	.				
1	VV12924242000	-PUMP ASSY, WATER	1		
3	VV12910042051	--GASKET	1		
4	VV12910042121	--PLATE	1		
9	VV11980249113	--JOINT	2		
10	VV12991649740	--PLUG	2		
11	VV23875020000	--PLUG	1		
12	VV23876010000	--PLUG	1		
13	VV26577060142	--SCREW M 6X 14	3		
14	VV12948642021	-GASKET	1		
15	VV12900442040	-JOINT	1		
16	VV12948642140	-O-RING	1		
17	VV12439549840	-GASKET	1		
18	VV23414080000	-GASKET	1		
19	VV26106080122	-BOLT	1		
20	VV26106080162	-BOLT	3		
21	VV26106080452	-BOLT	1		
22	VV26106080602	-BOLT	3		
23	VV12940342380	-V-PULLEY	1		
24	VV12961242350	-V-BELT	1		
25	VV12990744740	-FAN	1	BPYBD	
25A	VV12963144740	-FAN, 430X7	1	BPYBC/E	
26	VV12963044770	-SPACER, FAN 37MM	1		
27	VV26106060352	-BOLT	4		
28	VV26106080162	-BOLT	4		
29	VV12915549801	-THERMOSTAT	1		
30	VV12915049811	-GASKET	1		
31	VV12935049530	-COVER	1		
32	VV12979549551	-GASKET	1		
33	VV26106080222	-BOLT	2		
34	VV17105649120	-PLUG	1		
35	VV12145042450	-PLUG	1		
36	VV12125044901	-SWITCH	1		
37	VV12446544950	-GASKET	1		
38	VV12446544950	-GASKET	1		
39	VV12900449610	-PIPE ASSY	1		
40	VV12900449711	--PIPE ASSY	1		
41	VV11980249730	--RETAINER	1		
42	VV12472259050	--CLIP	2		
43	VV12900449620	-PIPE ASSY	1		
44	VV12900449721	--PIPE ASSY	1		
45	VV12472259050	--CLIP	2		
46	VV12146844520	-TANK ASSY	1		
47	VV12145044531	--CAP	1		
49	VV12445044560	--RETAINER	1		
50	VV12147044581	--GASKET	1		

ITEM	PART NO.	PART NAME	QTY	Reference	APPLICABLE NO.
51	VV23065070130	- -HOSE	1		
52	VV12915049360	-GASKET	1		
	.				
FIG1					
FIG4					
FIG11					

Silverhorn.CO.UK

F07ソシャポンフ・FUEL INJECTION PUMP



備考

(1) ミタツNo. 1 F07ソシャポンフニハ、
コウモクNo. 12カハナラフクミマス。

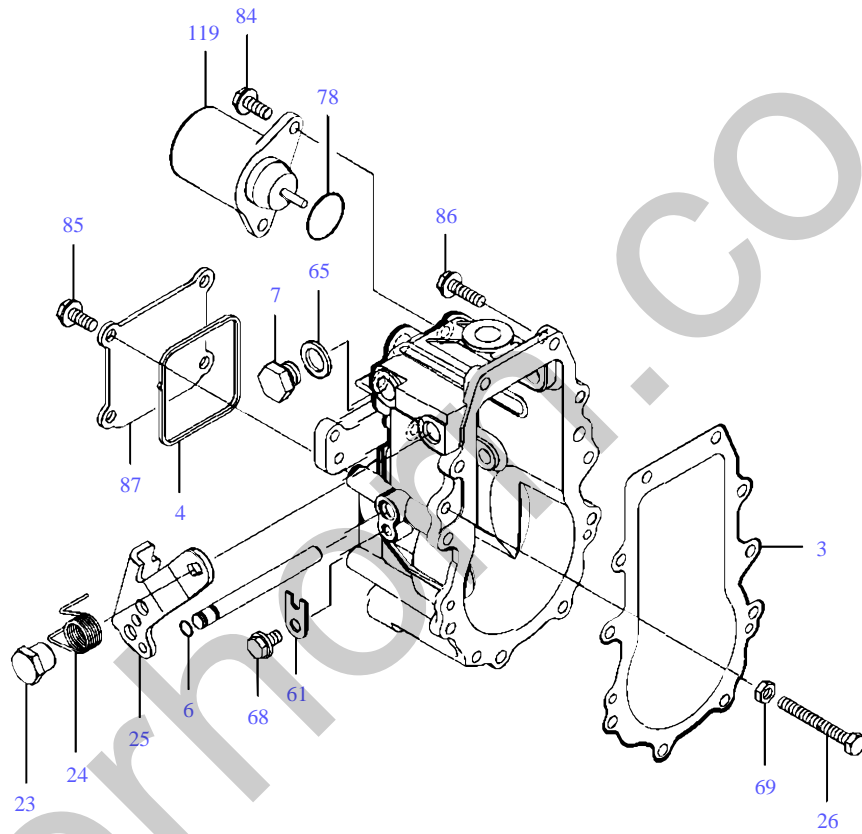
Remarks

(1) GOVERNOR (FIG.12) IS
INCORPORATED IN THIS FUEL
INJECTION PUMP (REF.1).

ITEM	PART NO.	PART NAME	QTY	Reference	APPLICABLE NO.
	.	FUEL INJECTION PUMP			
	.				
1	VV72963151330	·FIE ASSY	1	(1)	
9	VV12900851900	··COVER	1		
10	VV12900851920	··BOLT	2		
11	VV11980251090	··KEY	1		
14	VV15855251151	··FLANGE	1		
36	VV15860051270	··STOPPER	1		
37	VV15856351281	··O-RING	1		
38	VV15856351281	··O-RING	1		
39	VV12900851390	··VALVE ASSY	4		
48	VV15856351330	···SPRING	4		
56	VV15860151550	··PLUG	1		
57	VV11980251560	··PLUG	1		
58	VV15855251571	··GASKET	4		
59	VV15855251571	··GASKET	1		
60	VV15855751570	··PLUG	1		
61	VV15860151570	··PLUG	1		
62	VV15855251580	··LIFTER	1		
63	VV11980251590	··TIMER SET	1		
64	VV11980251600	···TIMER ASSY	1		
67	VV15855351670	···O-RING	1		
68	VV11980251680	···RING	1		
69	VV11980251690	···O-RING	1		
70	VV24356190200	···O-RING	1		
71	VV24372000150	···RING, BACK UP	1		
72	VV15855251600	··GASKET	1		
73	VV15855351630	··SPRING	1		
75	VV15855351650	··ELEMENT	1		
76	VV15855351660	··O-RING	1		
77	VV15855351680	··GASKET	1		
97	VV15860151770	··PISTON	1		
98	VV15855251781	··SPRING	1		
99	VV15860151790	··PLUG	1		
101	VV15855351930	··PLUG	1		
102	VV22190120002	··WASHER, SEAL	1		
103	VV22190180002	··WASHER, SEAL	1		
104	VV15855351770	··BOLT	4		
107	VV15855252311	··O-RING	1		
108	VV15855252400	··O-RING	1		
109	VV22190120002	··WASHER, SEAL	2		
110	VV22190180002	··WASHER, SEAL	2		
111	VV22217140000	··WASHER, SPRING	1		
112	VV22312050140	··PIN, PARALLEL	2		
113	VV22351050010	··PIN, SPRING	2		
115	VV24311000070	··O-RING	1		
116	VV24356190180	··O-RING	1		

ITEM	PART NO.	PART NAME	QTY	Reference	APPLICABLE NO.
117	VV24356190200	--O-RING	1		
118	VV26106060102	--BOLT	1		
120	VV26450080452	--BOLT	4		
121	VV26776140002	--NUT	1		
124	VV15855351551	--JOINT	1		
125	VV15860151650	--JOINT	1		
126	VV15855251670	--JOINT	1		
128	VV15855252100	--PUMP ASSY, FEED	1		
129	VV15855252500	---O-RING	1		
130	VV11993459910	--JOINT	1		
132	VV22190120002	--WASHER, SEAL	1		
133	VV12960151250	·RETAINER	1		
134	VV26106080162	·BOLT	1		
135	VV26106080202	·BOLT	1		
		Remarks			
		(1) GOVERNOR (FIG.12) IS INCORPORATED IN THIS FUEL INJECTION PUMP (REF.1).			

ガバナ・GOVERNOR

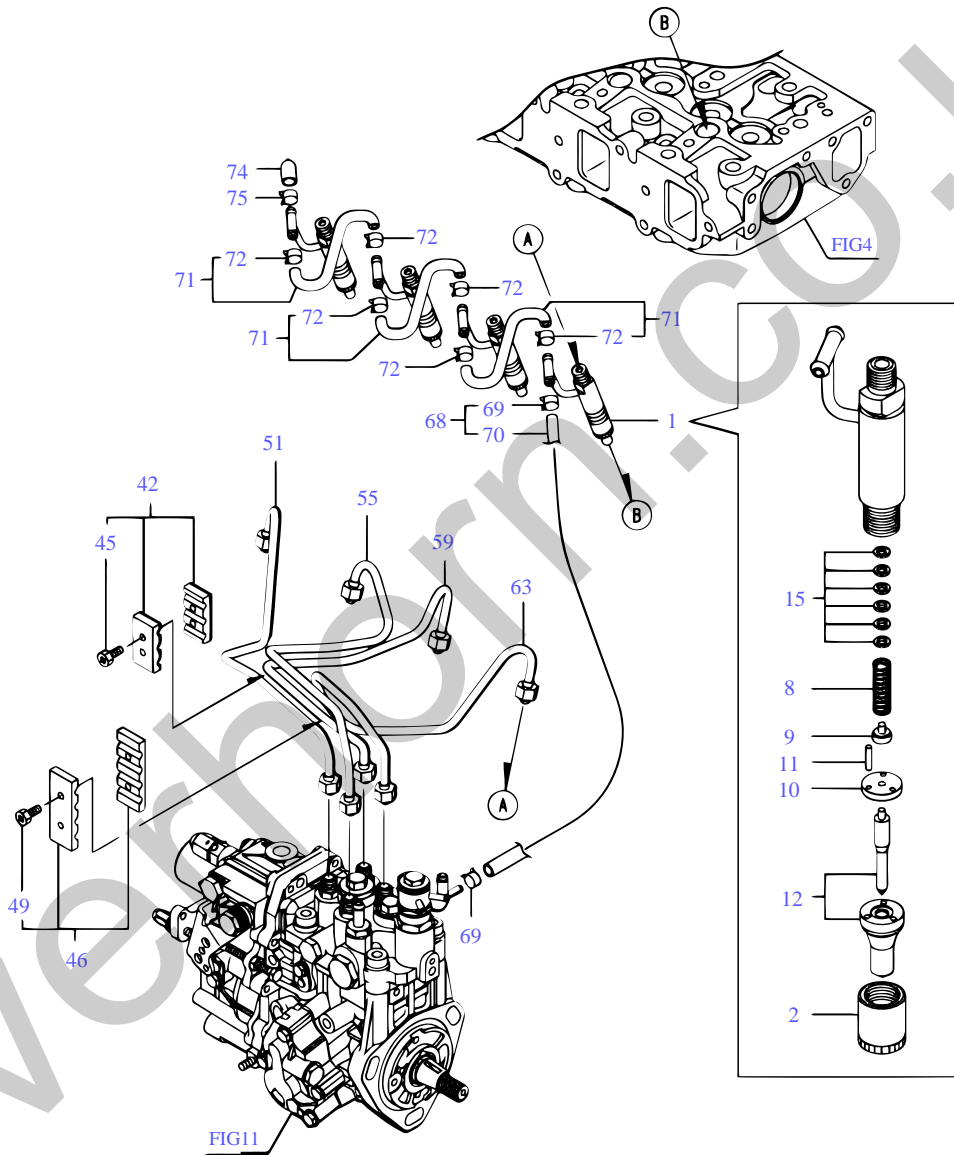


備考
 *ホンコウモク(ガバナ)ハ、コウモクNo. 11/
 F07ンシヤホ^ンニフクマレマス。

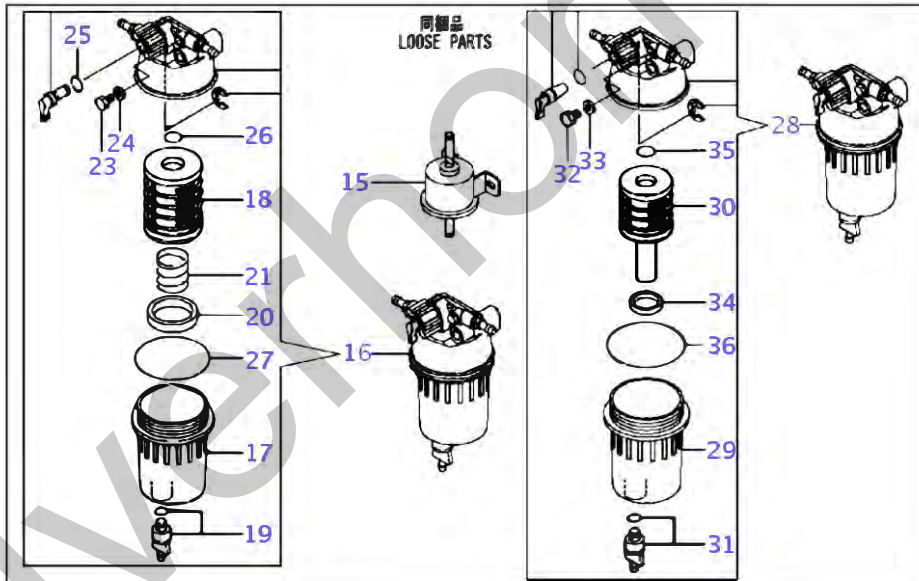
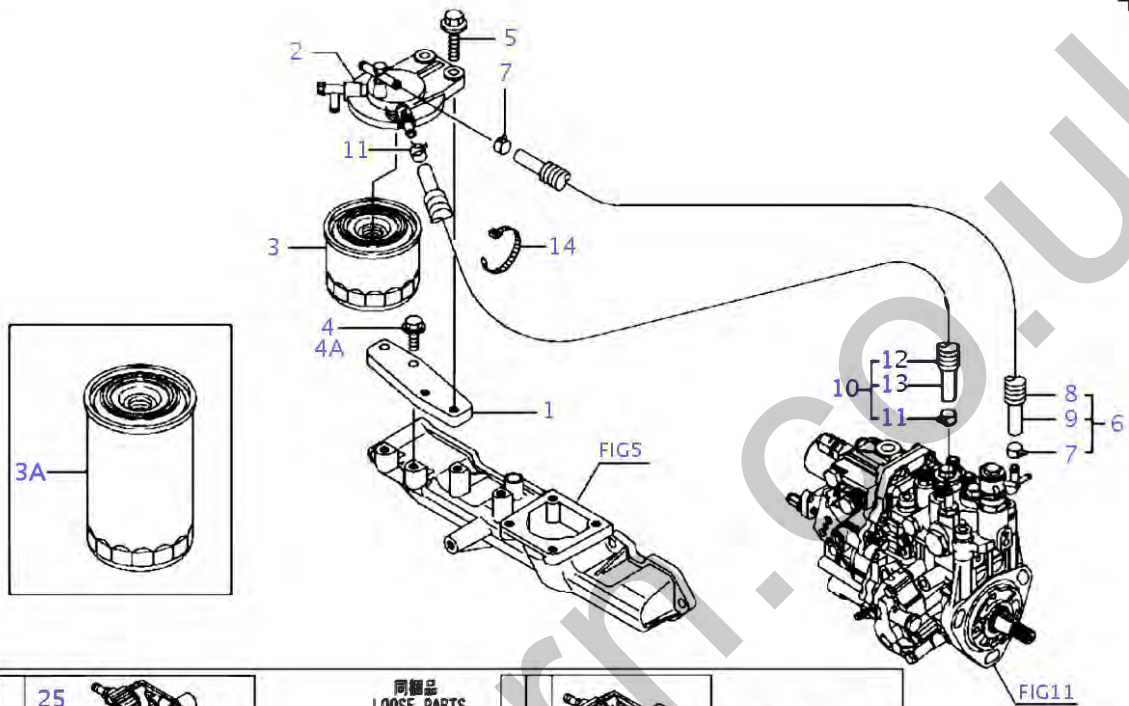
Remarks
 *THIS FIGURE (GOVERNOR) IS
 INCORPORATED IN THE FUEL
 INJECTION PUMP (FIG.11).

ITEM	PART NO.	PART NAME	QTY	Reference	APPLICABLE NO.
	.	GOVERNOR			
	.				
3	VV15855361050	--GASKET	1		
4	VV15855361070	--GASKET	1		
6	VV12915551280	--O-RING	1		
7	VV15855351930	--PLUG	1		
23	VV12925561410	--NUT	1		
24	VV11980761420	--SPRING	1		
25	VV15855261441	--LEVER	1		
26	VV12915561460	--BOLT	1		
61	VV11966061901	--RETAINER	1		
65	VV22190120002	--WASHER, SEAL	1		
68	VV26106060102	--BOLT	1		
69	VV26756060002	--NUT	1		
78	VV15855261900	--O-RING	1		
84	VV26106060142	--BOLT	2		
85	VV26106060142	--BOLT	4		
86	VV26106060202	--BOLT	10		
87	VV12964261060	--COVER	1		
119	VV11923377932	--SOLENOID	1		
	.				
		Remarks			
		*THIS FIGURE (GOVERNOR) IS INCORPORATED IN THE FUEL INJECTION PUMP (FIG.11).			

F07ンシャベ ン・FUEL INJECTION VALVE



ITEM	PART NO.	PART NAME	QTY	Reference	APPLICABLE NO.
	.	FUEL INJECTION VALVE			
	.				
1	VV72960453300	·VALVE ASSY, INJECTION	4		
2	VV11425053080	··NUT	4		
8	VV11425053120	··SPRING	4		
9	VV11425053130	··SPRING SEAT	4		
10	VV11425053140	··PLATE	4		
11	VV11425053210	··PIN	8		
12	VV12960453300	··NOZZLE ASSY	4		
15	VV11980353400	··SHIM SET	4		
42	VV12915059120	·RETAINER	1		
45	VV12915059131	··BOLT	2		
46	VV12955059120	·RETAINER	1		
49	VV12915059131	··BOLT	2		
51	VV12960159810	·PIPE ASSY, INJECTION	1		
55	VV12960159820	·PIPE ASSY, INJECTION	1		
59	VV12960159830	·PIPE ASSY, INJECTION	1		
63	VV12960159840	·PIPE ASSY, INJECTION	1		
68	VV11980259550	·PIPE ASSY	1		
69	VV12472259050	··CLIP	2		
70	VV11980259560	··PIPE	1		
71	VV12948659551	·PIPE ASSY	3		
72	VV12472259050	··CLIP	6		
74	VV11959359581	·CAP	1		
75	VV12406077680	·CLIP	1		
	.				
FIG4					
FIG11					



備考

- (1) 4TNV88-BPYBD ~P5311まで
- (2) 4TNV88-BPYBD P5312から
- (3) Ref.28とRef.16は互換性あり

Remarks

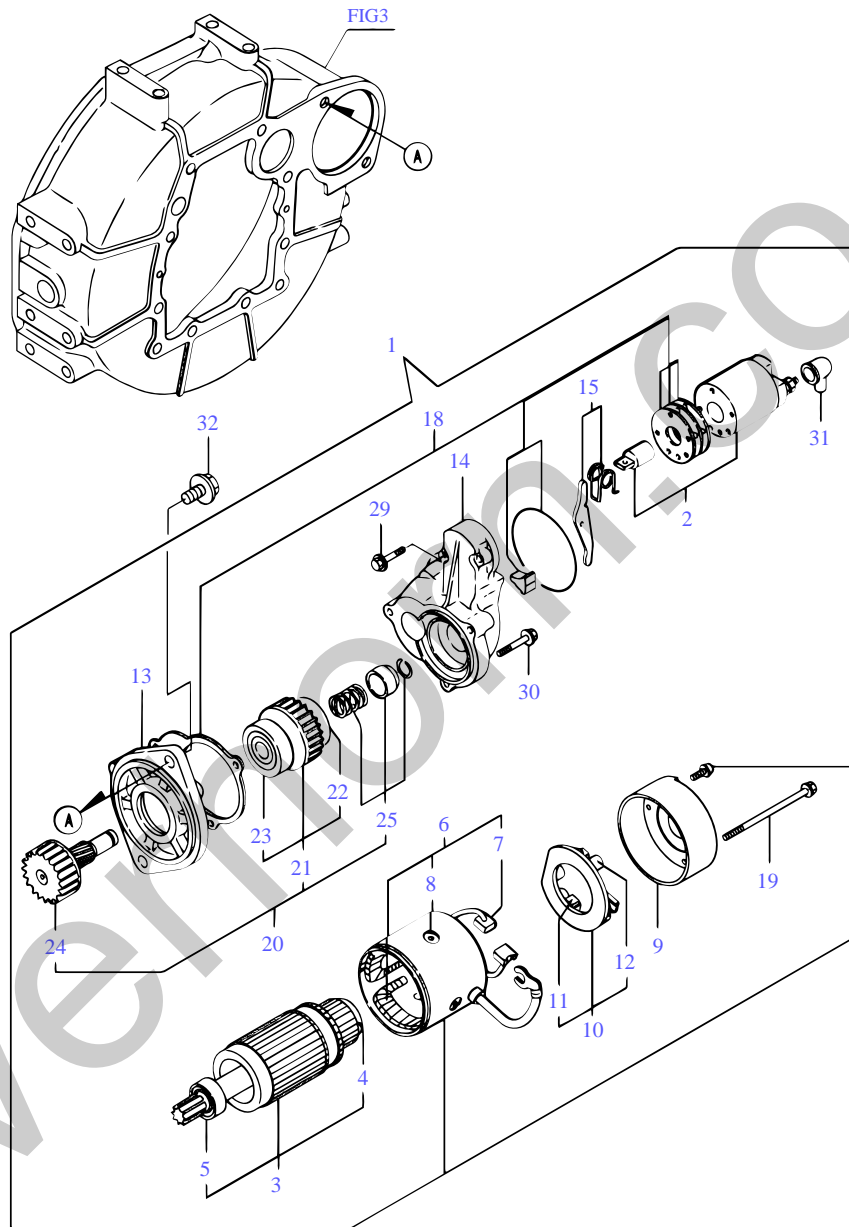
- (1) 4TNV88-BPYBD engines with serial Nos. up to P5311:
- (2) 4TNV88-DPYBD engines with serial Nos. after P5312:
- (3) Ref. 28 is interchangeable with Ref.16: interchangeability "N".

ITEM	PART NO.	PART NAME	QTY	Reference	APPLICABLE NO.
	.	FUEL LINE			
	.				
1	VV12963155040	·BRACKET, FUEL FILTER	1		
2	VV12900455612	·BRACKET	1		
3	VV12900455801	·FILTER	1	BPYBD/C	
3A	VV12990755801	·FILTER, FUEL	1	BPYBE	
4	VV26106080252	·BOLT	2	BPYBD/C	
4A	VV26106080402	·BOLT, M8X 40 PLATED	2	BPYBE	
5	VV26106080302	·BOLT	2		
6	VV12945759010	·PIPE ASSY	1		
7	VV12476659050	··CLIP	2		
8	VV12995759120	··TUBE	1		
9	VV10502559750	··PIPE	1		
10	VV12995059311	·PIPE	1		
11	VV12476659050	··CLIP	2		
12	VV12996159110	··TUBE	1		
13	VV10502559580	··PIPE	1		
14	VV12175059890	·BAND	1		
15	VV12961252100	·PUMP, FUEL FEED	1		
16	VV12963055711	·PRE FILTER ASSY	1	(1) BPYBD/E	
17	VV12924255720	··CUP	1	BPYBD/E	
18	VV12963055731	··ELEMENT, F0 FILTER	1	BPYBD/E	
19	VV12924255740	··PLUG	1	BPYBD/E	
20	VV12924255770	··FLOAT	1	BPYBD/E	
21	VV12963055780	··SPRING	1	BPYBD/E	
23	VV12924255750	··VALVE	1	BPYBD/E	
24	VV12924255760	··GASKET	1	BPYBD/E	
25	VV24311000160	··O-RING	1	BPYBD/E	
26	VV24311000160	··O-RING	1	BPYBD/E	
27	VV24321000750	··O-RING	1	BPYBD/E	
28	VV12924255711	·SEPARATOR ASSY	1	(2) BPYBD/C	
29	VV12924255720	··CUP	1	BPYBD/C	
30	VV12924255730	··ELEMENT	1	BPYBD/C	
31	VV12924255740	··PLUG, DRAIN	1	BPYBD/C	
32	VV12924255750	··VALVE, AIR VENT	1	BPYBD/C	
33	VV12924255760	··GASKET	1	BPYBD/C	
34	VV12924255770	··FLOAT	1	BPYBD/C	
35	VV24311000160	··O-RING, 1AP16.0	1	BPYBD/C	
36	VV24321000750	··O-RING, 1AG75.0	1	BPYBD/C	
	.				
		Remarks			
		(1) 4TNV88-BPYBD engines with serial Nos. up to P5311:			
		(2) 4TNV88-DPYBD engines with serial Nos. after P5312:			
		(3) Ref. 28 is interchangeable with Ref.16: interchangeability "N".			
	.				

ITEM	PART NO.	PART NAME	QTY	Reference	APPLICABLE NO.
FIG5					
FIG11					

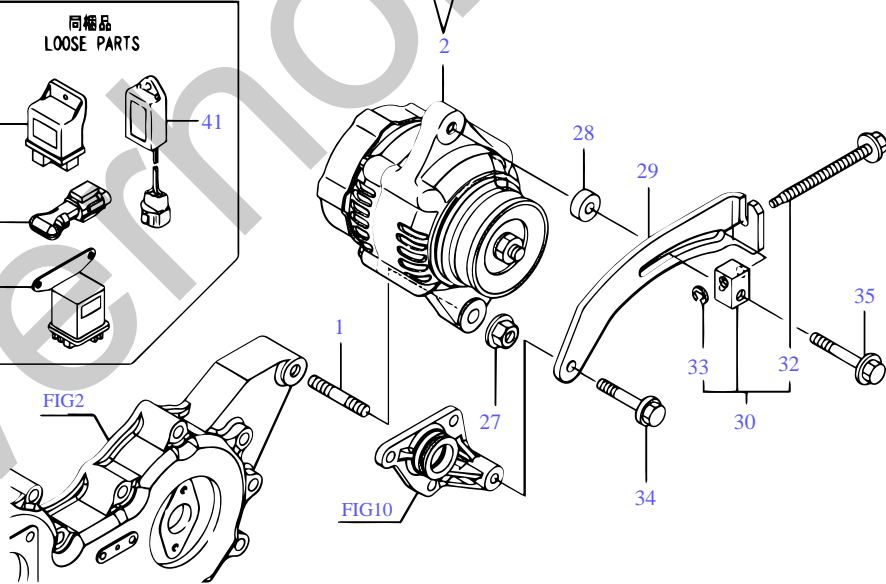
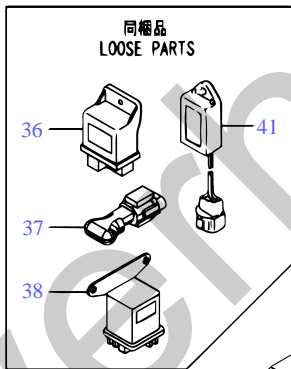
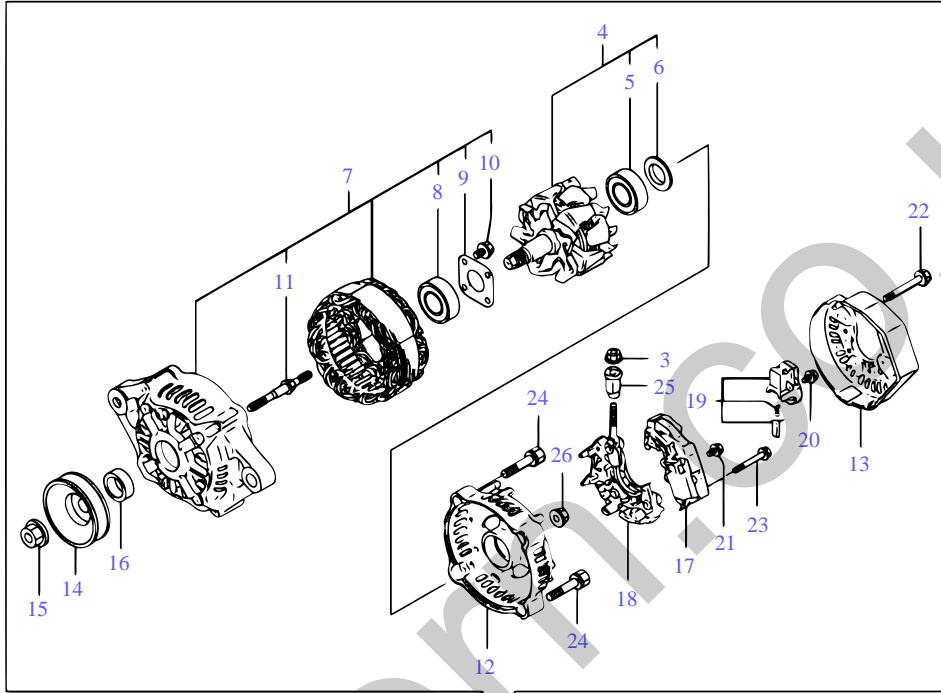
Silverhorn.CO.UK

スターティングモータ・STARTING MOTOR



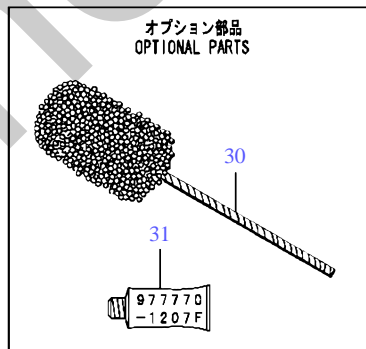
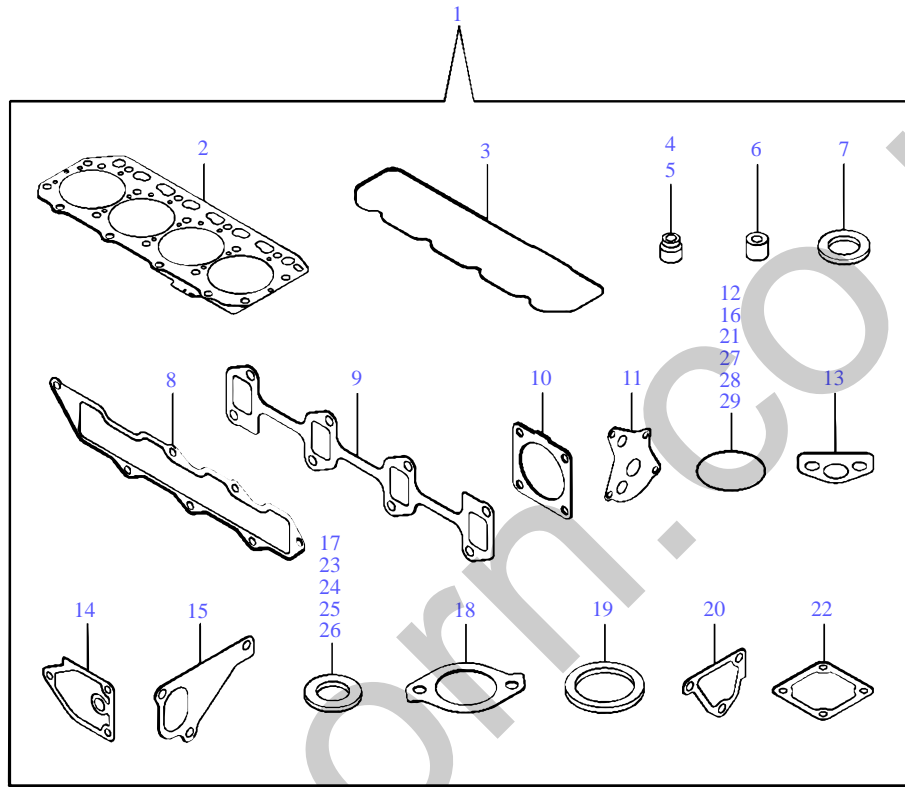
ITEM	PART NO.	PART NAME	QTY	Reference	APPLICABLE NO.
	.	STARTING MOTOR			
	.				
1	VV12913677011	·STARTER	1		
2	VV12913677310	··SWITCH ASSY	1		
3	VV12990077400	··ARMATURE ASSY	1		
4	VVX2130350900	···BEARING, BALL	1		
5	VVX2114255110	···BEARING, BALL	1		
6	VV12990077440	··COIL ASSY, FIELD	1		
7	VV12990077450	···BRUSH	2		
8	VV17100877450	···SCREW	4		
9	VV12990077460	··COVER	1		
10	VV12990077480	··HOLDER ASSY, BRUSH	1		
11	VV12990077450	···BRUSH	2		
12	VV12940077490	···SPRING	4		
13	VV17100877510	··CASE, GEAR	1		
14	VV12913677520	··HOUSING	1		
15	VV17100877540	··LEVER SET	1		
18	VV12940077571	··COVER ASSY, DUST	1		
19	VV12990077640	··BOLT, THROUGH	2		
20	VV17100877650	··PINION ASSY	1		
21	VVX2114555500	···CLUTCH ASSY	1		
22	VVX2114955020	···BEARING, BALL	1		
23	VVX2240410100	···BEARING, BALL	1		
24	VV17100877660	···SHAFT	1		
25	VV17100877670	···STOPPER SET	1		
29	VV26106060322	··BOLT	2		
30	VV26106060402	··BOLT	3		
31	VV17100877750	··COVER	1		
32	VV26106120252	·BOLT	2		
	.				
FIG3					

ジェネレータ・GENERATOR



ITEM	PART NO.	PART NAME	QTY	Reference	APPLICABLE NO.
	.	GENERATOR			
	.				
1	VV12979501900	·STUD	1		
2	VV11962677210	·ALTERNATOR (12V-55A)	1		
3	VVX9490561001	··NUT	1		
4	VV12905277380	··ROTOR ASSY	1		
5	VV12350179240	···BEARING, BALL	1		
6	VV11962079250	···COVER	1		
7	VV12905277422	··FRAME ASSY	1		
8	VV11962079200	···BEARING, BALL	1		
9	VV11962079210	···PLATE, RETAINER	1		
10	VV11962079220	···SCREW	4		
11	VV11962079230	···STUD	2		
12	VV12840177440	··FRAME	1		
13	VV11962677450	··COVER	1		
14	VV11962077461	··PULLEY	1		
15	VV11962077471	··NUT	1		
16	VV11962077490	··COLLAR	1		
17	VV11962677710	··REGULATOR ASSY	1		
18	VV12905279260	··HOLDER	1		
19	VV12905279270	··HOLDER	1		
20	VV11962079290	··SCREW	6		
21	VV11962079300	··SCREW	1		
22	VV11962079310	··BOLT	3		
23	VV11962079320	··SCREW	2		
24	VV11962079330	··BOLT	2		
25	VV11962079340	··BUSH, INSULATION	1		
26	VV11962079350	··NUT	2		
27	VV26306100002	·NUT	1		
28	VV11994077270	·SPACER	1		
29	VV12964277310	·ADJUSTER	1		
30	VV12963077350	·BLOCK ASSY	1		
32	VV12963077380	··BOLT	1		
33	VV22272000050	··RING	1		
34	VV26106080452	·BOLT	1		
35	VV26106080552	·BOLT	1		
36	VV11980277200	·RELAY	1		
37	VV129C0077300	·RESISTER MOLDE	1		
38	VV11965077911	·RELAY ASSY, GLOW	1		
41	VV12921177920	·TIMER	1		
	.				
FIG2					
FIG10					

パッキンセット・GASKET SET



<p>備考 (1) オプション品です。</p>	<p>Remarks (1) OPTIONAL PART.</p>
-----------------------------	---------------------------------------

ITEM	PART NO.	PART NAME	QTY	Reference	APPLICABLE NO.
	.	GASKET SET			
	.				
1	VV12968892600	-SET, PACKING CMP	1	(1)	
2	VV12940701340	--GASKET, HEAD	1		
3	VV12960111310	--GASKET	1		
4	VV12140011340	--SEAL, VALVE STEM	4		
5	VV12446011340	--SEAL, VALVE STEM	4		
6	VV11980211870	--PROTECTOR	4		
7	VV11962511880	--VALVE SEAT	4		
8	VV12940712110	--GASKET	1		
9	VV12955013110	--GASKET	1		
10	VV12993013201	--GASKET	1		
11	VV12915032020	--GASKET	1		
12	VV11960932040	--O-RING	2		
13	VV12915035042	--GASKET	1		
14	VV12915035111	--GASKET	1		
15	VV12948642021	--GASKET	1		
16	VV12948642140	--O-RING	1		
17	VV12446544950	--GASKET	2		
18	VV12979549551	--GASKET	1		
19	VV12915049811	--GASKET	1		
20	VV12439549840	--GASKET	1		
21	VV12185051960	--O-RING	1		
22	VV12915077511	--GASKET	1		
23	VV22190080002	--WASHER, SEAL	2		
24	VV22190100002	--WASHER, SEAL	2		
25	VV22190220002	--WASHER, SEAL	1		
26	VV23414080000	--GASKET	1		
27	VV24311000120	--O-RING	3		
28	VV24311000320	--O-RING	3		
29	VV24341000240	--O-RING	1		
30	VV12940092430	-HONE	1	(1)	
31	VV9777701207F	-GASKET, LIQUID	1	(1)	
	.				
		Remarks			
		(1) OPTIONAL PART.			